

Electronic pressure switch

The RIB400 electronic pressure switch provides continuous pressure monitoring with the ability to set the switching point.

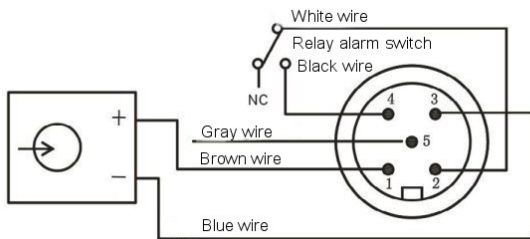
The user adjusts the switching point and can define the type of switch (normally open / closed), damping time, relay and NPN/PNP switch. The overload is from different μA to 500mA.

The digital pressure switch can transfer the pressure signal to current or voltage.

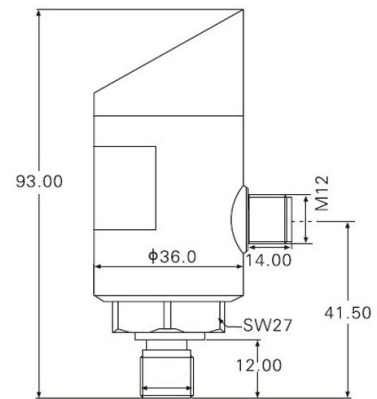
The display can rotate freely by 330 degrees so it can be easily installed.

Electrical connections

SIGNAL	PIN	COLOR
V+	1	Brown
Commutazione COM	2	White
GND	3	Blue
Commutazione out I	4	Black
Uscita corrente	5	Grey



Dimensions mm



SPECIFICATION

Materiale	Stainless steel body AISI 304 AISI 316L Stainless Steel Process Attachment
Areas of application	Pressure measurement in oil & gas, chemical, energy, and aqueduct. For liquids and gases.
Standard pressure range (bar)	1 1.6 2.5 4 6 10 16 25 40 60 100 160 200 250 300 400 500 600
Standard pressure range (psi)	1 5 30 50 75 100 200 300 500 750 1K 1.5K 3K 5K 10K
Precision	$\pm 0.3\% \text{FS}$ $\pm 0.5\% \text{FS}$
Output	PNP, NPN/Relay
Output signal	4÷20 mA 0÷10Vdc
Power	12÷30 Vdc
Working temperature	-30°C+85°C
Storage temperature	-20°C+85°C
Process Connections	G1/4" NPT-M
Protection	IP65