

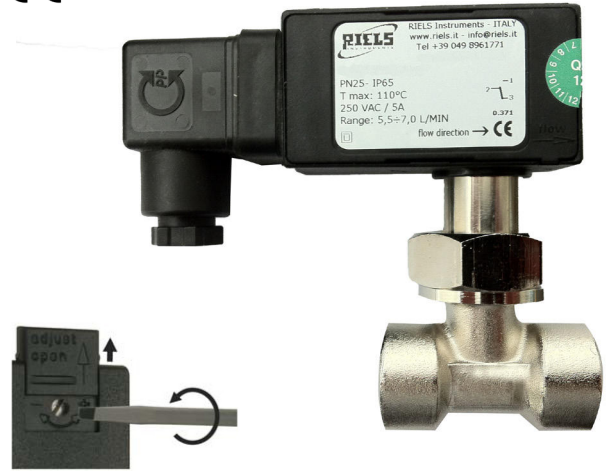
Compact paddle flow switches

Compact paddle flow switches with adjustable set point. When the adjusted flow rate is reached, a magnet, fixed to the paddle, actuates the contact externally located in the switch head. The switch head is a separate component and can be replaced without removing the flow switch from the pipe. The switch point is externally adjustable also in electrical powered condition. The electrical connection is made via DIN 43650 plug with PG9 cable gland.

Characteristics

- Hermetic separation of mechanical and electrical component
- Optional mounting position
- Low pressure loss
- Adjustable set point
- Threaded connection
- Micro switch
- Low pressure loss

CE

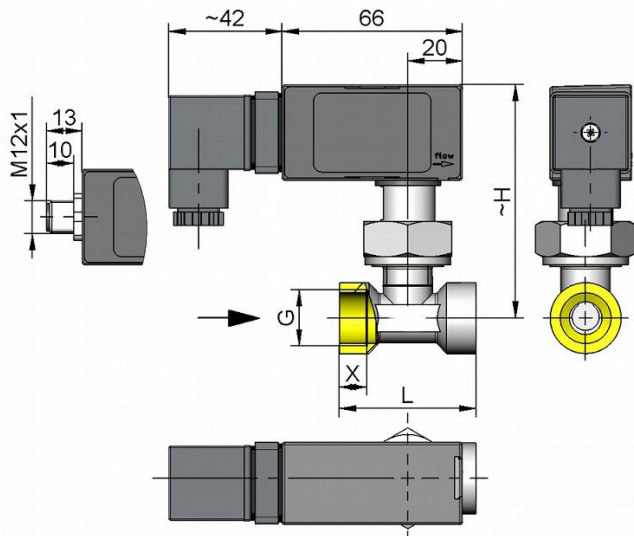


Technical data

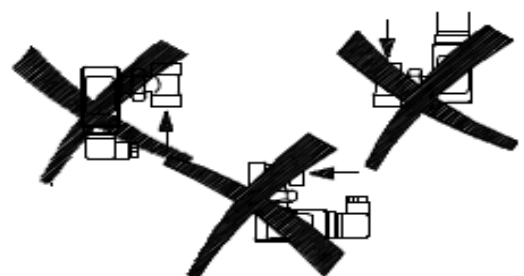
	G	Type	PN [bar]	Qmax. recom. l/min H ₂ O	Switching range	H [mm]	L [mm]	X [mm]	Weight [kg]
Brass	G 3/8	RIV150-010GM	25	10	4 - 5.5	87	50	10	0.45
	G 1/2	RIV150-015GM	25	20	5.5 - 7	87	50	10	0.40
	G 3/4	RIV150-020GM	25	40	7.5 - 10	88	50	12	0.45
	G 1	RIV150-025GM	25	60	14 - 18	92	50	12	0.45
	G 1 1/4	RIV150-032GM	25	80	22 - 30	96	50	12	0.60
	G 1 1/2	RIV150-040GM	25	100	37 - 50	99	50	12	0.60
Stainless steel	G 2	RIV150-050GM	25	150	67 - 93	108	50	12	0.85
	G 3/8	RIV150-010GK	25	10	4 - 5.5	87	50	10	0.50
	G 1/2	RIV150-015GK	25	20	5.5 - 7	87	50	10	0.45
	G 3/4	RIV150-020GK	25	40	7.5 - 10	88	50	12	0.50
	G 1	RIV150-025GK	25	60	14 - 18	92	50	12	0.50
	G 1 1/4	RIV150-032GK	25	80	22 - 30	96	50	12	0.60
	G 1 1/2	RIV150-040GK	25	100	37 - 50	99	50	12	0.75
	G 2	RIV150-050GK	25	150	67 - 93	108	50	12	1.05

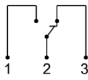

Details in the table correspond to horizontal inwards flow with decreasing flow rate

Dimension



Mounting



Technical data	
Switch/sensor	micro switch
Nominal width	DN 10..50
Process connection	female thread G3/8..G 1 (further process connections available on request)
Switching range Q _{max} .	4..93 l/min to 150 l/min (for details see table "Ranges")
Tolerance	±15 % of full scale value
Pressure resistance	PN 25 bar
Medium temperature	-20+110°C
Ambient temperature	-20+70°C
Media	water (oils, gases and aggressive media available on request)
Wiring	changeover no. 0.371 
	optionally changeover no. 0.282 
	optionally red or red / green diode in the DIN 43650-A plug
Switching voltage	max. 250 V AC
Switching current	max. 5 A (round plug connector max. 4 A)
Protection class	2 - safety insulation
Ingress protection	IP 65
Electrical connection	plug DIN 43650-A / ISO 4400, optionally for round plug connector M12x1, 4-pole

Technical data		
Materials medium-contact	Brass construction: CW617N nickelled, CW614N nickelled, 1.4310, 1.4301, hard ferrite, NBR	Stainless steel construction: 1.4305, 1.4571, 1.4301, 1.4310, hard ferrite PTFE-coated, FKM
	Non-medium	ABS, PA, NBR
Installation location	Standard: horizontal inwards flow; switching head not recommended underneath; other installation positions are possible; the installation position affects the switching point and range.	

Handling and operation

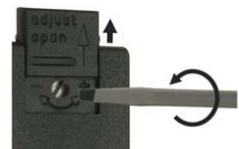
- Include straight calming section of 5 x DN in inlet and outlet
- When tightening the union nut, the connection piece must be countered using an open-ended spanner (SW 19).
- If the media are dirty, install a filter (use magnetic filter for ferritic components).
- It must be ensured that the values given for voltage, current, and power are not exceeded.
- When switched on, a load must be connected in series.
- The electrical details apply to ohmic loads. Capacitive and inductive loads must be operated using a protective circuit

Adjustment

To adjust, open the slider. Adjustment is made using the adjustment screw with a lengthways slot; this is located under the valve. Turn clockwise for a lower switching point; turn anticlockwise for a higher switching point.

After adjustment, close the slider again.

Example: The adjustment range 20 to 27 l/min corresponds to 7 l/min Adjustment option in 7 revolutions. Adjustment is therefore 1 l/min for each revolution.



Options

- Connection for round plug-in connector
- Signal lamp red or red/green in the plug DIN 43650-A
- Gold contact 125 V AC / 30V DC, 100 mA
- Protective bellows
- Switching ranges for oil or gas
- Special values