

Sight glass flap indicators

Flap indicators for transparent liquid low measurement and mounting on horizontal pipe lines. They are simple and rugged instruments suited for operating conditions not requiring great accuracy in measurement. The reading scale is on glass window.

Construction materials

- **Body:** carbon steel standard, AISI 316L stainless steel or other optional.
- **Flap:** carbon steel standard, AISI 316L stainless steel or other, on request.
- **Window:** toughened glass.
- **Seals:** Buna N standard, Viton on request.

Operating conditions

- **Max. allowable pressure:** 10 bar
- **Max allowable temperature:** 100°C
- **Special executions** for higher pressures and temperatures on request. Sight glass version for through-flow indication only, also available.

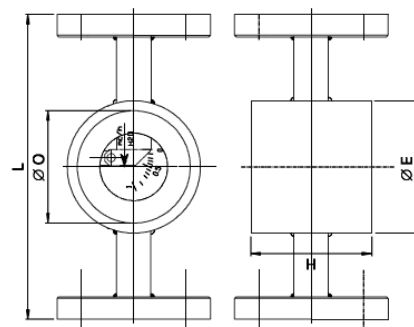
Technical features

Accuracy	± 10% v.f.s.
Connections	flanged UNI 2278 PN 16 standard, ANSI, DIN, TRICLAMP or threaded connection



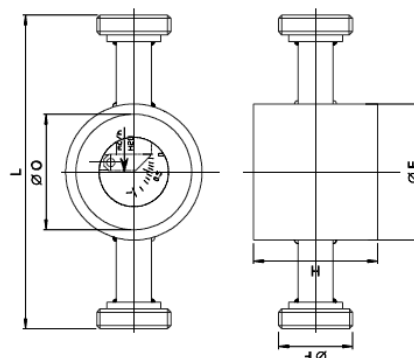
Dimensional drawings flanged connections UNI 2278

Size	DN	L mm	ø O mm	ø E mm	H mm	Weight Kg
2600	15	190	70	83	75	3
2700	20	190	70	83	75	3,2
2800	25	190	70	83	75	3,7
2900	32	220	90	110	90	6,8
3000	40	220	90	110	100	7,3
3100	50	240	100	115	125	9,2
3200	65	260	125	140	145	12,3
3300	80	290	150	170	170	14,9
3400	100	330	180	195	200	23,00



Dimensional drawings DIN connections

Size	DN	L mm	ø O mm	ø E mm	H mm	ø F mm	Weight Kg
2600	15	206	70	83	75	52 x 1/6	3,0
2700	20	202	70	83	75	44 x 1/6	3,2
2800	25	206	70	83	75	52 x 1/6	3,7
2900	32	232	90	110	90	58 x 1/6	6,8
3000	40	236	90	110	100	65 x 1/6	7,3
3100	50	248	100	115	125	78 x 1/6	9,2
3200	65	282	125	140	145	95 x 1/6	12,3
3300	80	-	150	170	170	110 x 1/4	14,9
3400	100	354	180	195	200	130 x 1/4	23,0



Reference flow rates

Diameter	Max flowrate m3/h
15	1
20	2
25	4
32	6
40	10
50	20
65	40
80	60
100	110

The above mentioned flow-rates are meant for horizontal mounting