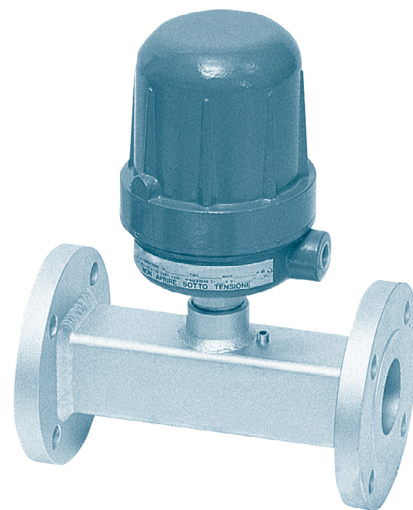


Floating tray flow switch

Riels paddle type flow switch for water; with max. or min. flow alarm, with a single switching unit, and with output on SPDT switch.

Technical features

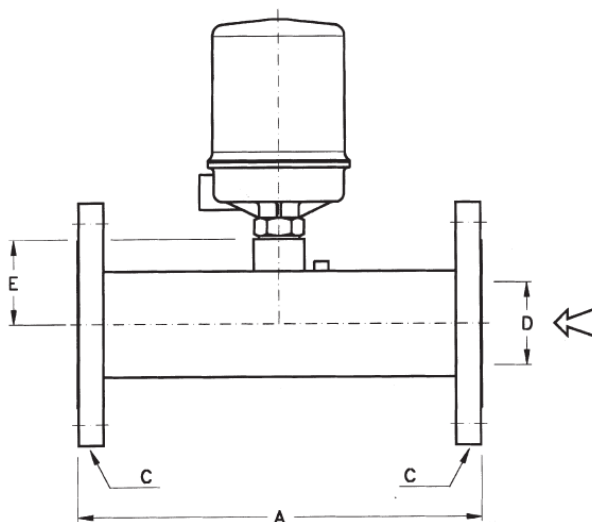
- Horizontal mounting
- Single switching unit (on request, two SPDT switches with simultaneous action can be supplied)
- Fixed set point
- Fixed differential
- Repeatability of set point $\pm 5\%$
- Max. temperature 135°C
- Pressure: see rating for flanges
- Max. pressure drop 500 mm H₂O
- Used for pipe of min. DN 100
- Special versions made for air flow



Dimensions

Model	A mm	E mm	D		Q max. mc/h - H ₂ O	WEIGHT ~ KG
			UNI	ANSI		
RIV165-40	200	55	40	1 1/2"	12	6
RIV165-50	230	60	50	2"	15	9
RIV165-65	280	65	65	2 1/2"	30	12
RIV165-80	330	70	80	3"	40	14
RIV165-100	380	80	100	4"	60	19
RIV165-125	420	105	125	5"	100	26
RIV165-150	420	105	150	6"	100	32

UNI PN 10/ANSI 150 RF standard "C" flange.
Flanges with higher ratings are supplied on request



Used Materials

	Materials	Carbon Steel	AISI 304	AISI 316
CODE:	CorpoBody	A	I	J
	Paddle and Leverage	-	-	2

Switches

Type	Mercury Switch	Dry Microswitch					Pneumatic Switch*
Load Rating	220 V c. a. 10 A 110 V c. c. 1,5 A	250 V c. a. 10 A 125 V c. c. 0,5 A	125 V c. c. 10 A	250 V c. a. 10 A 125 V c. c. 0,5 A Waterproof	125 V c. a. 1 A 28 V c. c. 1 A waterproof with gold contacts	250 V c. a. 1 A 24 V c. c. 3 A sealed with inert gas	output: 0 ÷ 40 psi max.
CODE	VD	M2	M3	M4	M6	M14	PN = Brass PN1 = Stainless Steel

*Air inlet and output connection 1/4" NPT-F - No bleed type

Available Enclosures

(WP) enclosures can be supplied with cable gland or 3-pin / 7-pin connector according to MIL standards.
(EP) enclosures can be supplied with explosion-proof gland.

Type	Waterproof	Explosion-Proof
Material	Alluminium	Alluminium
Electrical connection	1/2" NPT- F/GAS 3/4" NPT- F/GAS ISO M20x1.5	1/2" UNI 6125/NPT- F 3/4" UNI 6125/NPT- F ISO M20x1.5
Protection Degree	IP 66	1) ATEX II 1/2 GD Exd IIC T6 - IP 66
CODE	WP	EP

1) CESI N. 02-ATEX-I 26 certificate.

How to order

Example: RIV165-50 - A - 2 - M2 - WP
 RIV165-50 model
 A carbon steel body
 2 paddle and internal leverage in AISI 316
 M2 dry microswitch 250V a.c. - 10 A
 WP waterproof case

To order it must also include: temperature, pressure, flow rate of exercise and the required switching