

Submersible Capacitive Transmitters for water level measurements

The RIL46X combines the ceramic measuring cell for low pressure ranges with the electronics of the digital Series 30 pressure transmitters. The signal values of the pressure and temperature sensors are determined by a polynomial compensation¹⁾. The values can be shown and stored on a PC and can be reprogrammed. A reference tube integrated in the cable connects the referential chamber of the sensor with the ambient pressure.

1) More information about the polynomial compensation and associated software you will find in the Series RIL41X datasheet

Specifications

Pressure range (FS)*	30	100	300	mbar
Overpressure	300	1000	1500	mbar
Type	2 wire		3 wire	
Supply (U) 46 X	8...28 VDC		13...28 VDC	
Supply (U) 46 X Ei (Atex)	10...30 VDC		15...30 VDC	
Signal Output (scaleable)	4...20 mA		0...10 V	
Load (Ω)	< (U - 8 V) / 0,02 A		> 5K	
Stability	FS ≥ 100 mbar: ± 0,1 %FS		FS ≤ 100 mbar: ± 0,1 mbar	
Operating Temperature	0...80 °C			
Compensated Range	10...50 °C			
Error Band max**	± 0,1 %FS standard		± 0,2 %FS max.	
Electrical Connection	Reference cable PE sheath Ø 5,8 - Absolute cable PUR double sheath 4,7			
Cable length	5 m standard			
Materials Contact with Media	- Housing: Stainless steel (type AISI 316L) - Diaphragm: Ceramic, gold plated - Nitrile O-ring			
Protection	IP 68			
Weight	≈ 400 g with 5 m cable			
Options	Programmable, other versions			

* Intermediate ranges for the analog output are realizable with no surcharge by spreading the standard ranges (note that the error band will then increase proportionally)

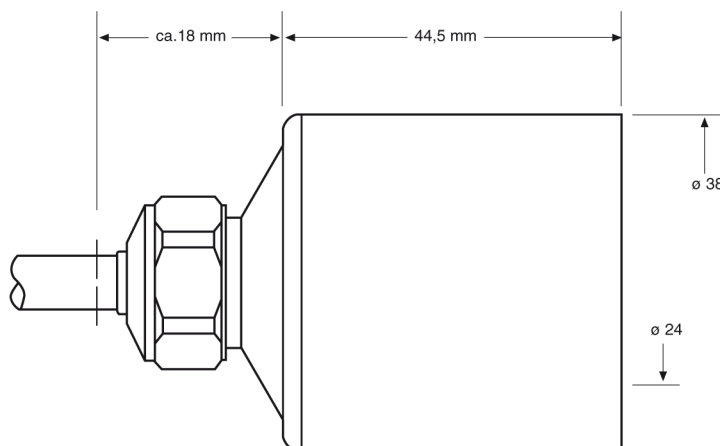
** Within the compensated temperature range



EEx ia IIC T4
PTB 06 ATEX 2011

0081

This pressure transmitter is also available as intrinsically safe version (Series RIL46XEI). It is used in explosion exposed areas, where the categories 1 and 2 are required and must only be used in combination with certified intrinsically safe equipment!



Collegamenti elettrici

	2 fili	3 fili
Nero	+Vcc	+Vcc
Bianco	OUT/GND	GND
Rosso		+OUT
Blu	RS 485 A	
Giallo	RS 485 B	