



IECEX - ATEX
DUST ZONE 20/21

LEVEL INDICATOR

PFG05

Product Line: **Rotary**

Of durable and reliable manufacturing, particularly suitable for heavy operating conditions and extended working periods. Version with G 2" 1/2 male thread for mounting with sleeve or flange.

ADVANTAGES

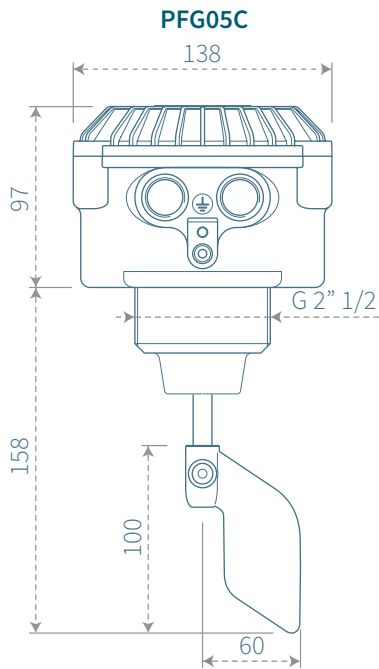
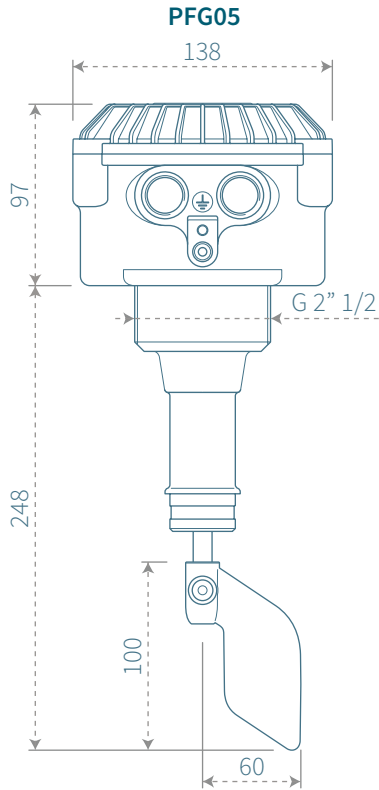
- An **EASY TO INSTALL** instrument that does not require any calibration, maintenance or specific tool for its installation.
- Thanks to the wide choice of paddles, all of which are interchangeable, it is **ADAPTABLE** to the different densities of the measured materials.
- Extremely **VERSATILE**, it can be installed on tanks, hoppers, on walls or roofs of silos, in a vertical, horizontal or oblique position.
- **CUSTOMIZABLE** with **paddles, extensions**, voltages and different electrical connection options.
- **DURABLE** and **RELIABLE** with aluminium casing, stainless steel shaft on ball bearings and electrical connection via anti-vibration faston terminals. Works with ambient temperatures from -20° to +70°C.
- On request:
 - CONDENSATION FILTER:** helps preventing the formation of condensation in the level indicator casing.
 - 8 PULSES FOR ROTATION CONTROL:** remotely notifying that the level indicator is working correctly.
 - VOLTAGE CONTROL:** to check the correct power supply of the level indicator.
 - DOUBLE CONTACT:** the level indicator will have one additional dry contact.
 - 4 RPM:** to decrease the intervention time of the level indicator.
 - LOW TEMPERATURES:** allows the indicator to operate up to -40°C.

AVAILABLE VERSIONS



PFG05C
Short version

Product Line: Rotary



Customizations



115/230V AC



24/48V AC



24V DC



4 RPM



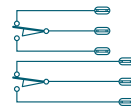
Voltage control



Rotation control



Lamp



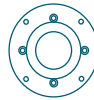
Double contact



Low temperatures



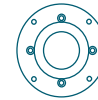
Condensation filter



Aluminium flange



Iron sleeve
G 2" 1/2



Stainless steel flange



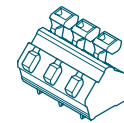
Stainless steel sleeve
G 2" 1/2



Faston terminals
(standard)



Screw terminal blocks



Spring terminal blocks

Extensions

In galvanized steel or stainless steel.

- With or without protection, up to **3000 mm**
- Adjustable, with additional holes **to alter the paddle position**
- Flexible, up to **12 meters**

Compatible paddles

For information on the range of available paddles, refer to the dedicated brochure.